

MODEL AT40-2
RATED CAPACITY MANUAL
Book Part Number: T198471A



ALL TERRAIN MOBILE ARTICULATED PICK & CARRY CRANE

40 tonne MAXIMUM RATED CAPACITY

Do not operate this crane unless you have read
and understood the information in this book.

CONTENTS

WARNINGS	3
OPERATIONAL NOTICE	3
ATTACHMENT NOTICE	3
DEFINITIONS	4
SPECIAL PRECAUTIONS FOR ARTICULATED CRANES	5
GENERAL	5
SET-UP	5
OPERATION	6
LIFT AND CARRY OPERATION.....	7
OPERATION ON SLOPE	8
SPECIFICATIONS	9
CRANE CONFIGURATION	11
CRANE CONFIGURATION (RUNNER)	12
CRANE CONFIGURATION (RUNNER)	13
RATED CAPACITY CHARTS	14
101: FB - FALL BLOCK – STATIC	16
101: FB - FALL BLOCK – PICK AND CARRY	17
102: RH20 - RHINO HOOK 20t – STATIC	18
102: RH20 - RHINO HOOK 20t – PICK AND CARRY	19
110: FLUG - FIXED LUG – STATIC.....	20
110: FLUG - FIXED LUG – PICK AND CARRY	21
111: LUG1 - LUG 1 – STATIC.....	22
111: LUG1 - LUG 1 – PICK AND CARRY	23
127: RR1H – RUNNER 1 (10° OFFSET) HOOK – STATIC	24
130: RR1S – RUNNER 1 (10° OFFSET) SHEAVE – STATIC	24
127: RR1H – RUNNER 1 (10° OFFSET) HOOK – PICK AND CARRY.....	25
130: RR1S – RUNNER 1 (10° OFFSET) SHEAVE – PICK AND CARRY	25
128: RR2H – RUNNER 2 (25° OFFSET) HOOK – STATIC	26
131: RR2S – RUNNER 2 (25° OFFSET) SHEAVE – STATIC	26
128: RR2H – RUNNER 2 (25° OFFSET) HOOK – PICK AND CARRY.....	27
131: RR2S – RUNNER 2 (25° OFFSET) SHEAVE – PICK AND CARRY	27
129: RR3H – RUNNER 3 (30° OFFSET) HOOK – STATIC	28
132: RR3S – RUNNER 3 (30° OFFSET) SHEAVE – STATIC	28
129: RR3H – RUNNER 3 (30° OFFSET) HOOK – PICK AND CARRY.....	29
132: RR3S – RUNNER 3 (30° OFFSET) SHEAVE – PICK AND CARRY.....	29
AFTERMARKET CONTACTS LIST	30

NOTE: ALL PAGES MUST BE INCLUDED IN THIS BOOK.

WARNINGS

OPERATIONAL NOTICE



IMPROPER CRANE USE, CARE OR OPERATION
CAN CAUSE INJURY, DEATH OR PROPERTY
DAMAGE.

DO NOT OPERATE THIS MACHINE UNLESS YOU
HAVE READ AND UNDERSTAND THE OPERATOR'S
MANUAL AND CRANE RATED CAPACITY MANUAL.

COPIES OF OPERATOR'S MANUALS AND CRANE RATED CAPACITY
MANUAL MAY BE OBTAINED FROM:



TEREX®

ATTACHMENT NOTICE



WRITTEN AUTHORISATION IS REQUIRED FROM
TEREX AUSTRALIA PTY LTD PRIOR TO THE USE OF
ANY ATTACHMENT NOT SPECIFIED IN THE MANUAL.

DEFINITIONS

Articulation – The crane pivots in the middle to allow steering and slewing of the load. See *Working Area diagram*

Deration – A decrease in the Rated Capacity due to external influences, expressed as a percentage.

Freely Suspended Load – Load hanging free with no direct external force applied except by the winch rope.

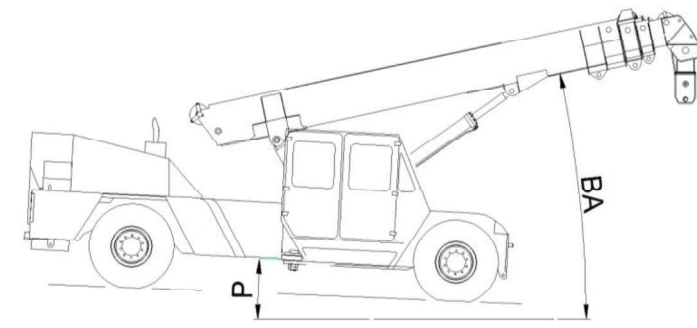
Gradient: Generalised slope of ground measured as a percentage.

Load Radius – The horizontal distance from the centre of the freely suspended hoisting hook perpendicular to a vertical plane containing the front axle.

Loaded Boom Angle – This is given to assist in setting up the crane only. It gives only an approximation of the Load Radius for a specified boom length. “Boom Angle” on Rated Capacity charts refers to the angle between the boom and true horizontal. (Refer to image below)

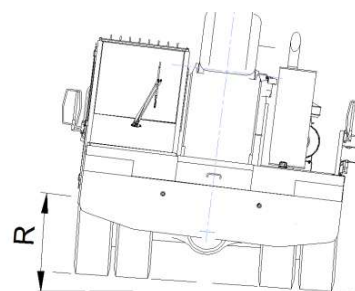
Load Moment Indicator (LMI) - A system that displays rated capacity for the given configuration. An audible warning sounds when rated capacity is approached and reached.

Pitch Angle – The forward tilt of the crane, the angle between the chassis of the front of the crane and true horizontal in the longitudinal direction. The pitch is positive when the front is higher than the rear. In the image shown, the pitch angle is negative.



Rated Capacity (RC) – The total Freely Suspended Load, including the mass of material and load handling equipment, that the machine can safely lift under ideal conditions at a given configuration.

Roll – The side tilt of the crane chassis, the angle between the front chassis of the crane and true horizontal. The roll angle is positive when the left side of the crane is higher than the right side. In the image shown, which is a view on the front of the crane, the roll angle is negative.



Side Load – Any external force applied either to the boom or load in a horizontal direction.

Slope: Generalised angle of the ground measured in degrees.

Tilt: Generalised combination of pitch and roll.

Work Areas – Area measured in an arc about the centre pivot as shown on the Working Area diagram.

SPECIAL PRECAUTIONS FOR ARTICULATED CRANES

THERE IS A POTENTIAL FOR CRUSHING BETWEEN FRONT AND REAR CHASSIS WHEN THE MACHINE ARTICULATES. NEVER STAND IN THE PIVOT AREA WHEN THE ENGINE IS RUNNING OR EMERGENCY STEERING PUMP IS OPERATING. ALWAYS REMOVE THE KEY FROM THE IGNITION BEFORE WORKING IN THE PIVOT AREA.

GENERAL

1. This machine has been designed to meet the requirements of AS1418.1 (2002) & 1418.5 (2013) and has been tested in accordance with these standards for pick and carry operation on tyres. The machine classification is A3.
2. Rated Capacities shown are for this machine as originally manufactured by Terex Australia Pty Ltd. The Rated Capacities only apply when all the instructions in this book are rigidly followed. Modifications to this machine or use of equipment other than that specified can result in a reduction in Rated Capacity.
3. If improperly operated or maintained, this machine can be hazardous. Operation and maintenance of this machine must be in compliance with the information documented in this rated capacity manual and in the operators, service and parts manuals furnished. If these manuals are missing, obtain replacements through Terex Australia Pty Ltd or their agents.

SET-UP

4. Reduced crane Rated Capacities for the particular job shall be established, by the operator, with due allowance for adverse operating conditions. These conditions include the supporting surface, pendulum action of the load, jerking or sudden stops of the load and other factors affecting stability, two machine lifts, electrical wires, adverse weather, wind, hazardous surroundings, experience of personnel, etc.
5. Rated Capacity is based on Freely Suspended Loads. Lifting, or travelling (pick and carrying) with a load, on soft or uneven ground can be hazardous and will reduce the Rated Capacity of the crane. Refer to the section "Operation on Slope" for further information.
6. No attempt shall be made to drag the load along the ground in any direction.
7. Wind forces on the boom, resulting from winds up to 10 m/s (36 km/h), are incorporated in the Rated Capacity. Any additional Side Loading due to wind forces on the load will reduce the Rated Capacity, and must be considered.
8. Rated Capacities include the mass of hooks, blocks, slings and auxiliary lifting devices. Their mass must be subtracted, from the listed Rated Capacity, to determine the equivalent net load.
9. Loaded Boom Angles at specified boom lengths give only an approximation of the Load Radius. The Boom Angle before loading should be greater to account for boom deflection increasing the Load Radius as the load is lifted.

OPERATION

10. Read and understand all warnings and instructional notes.
11. Do not tip the machine to determine allowable lifting capacities.
12. Loads may be lifted from:
 - The main boom head on the winch.
 - The fixed lug.
 - The sliding lug.

Always use the correct Rated Capacity chart for the lifting point in use. Ensure the LMI is set to the correct duty.

NOTE : Written authorisation from Terex Australia Pty Ltd is required prior to the use of any attachment not specified in the manual.

13. Crane mode requires low range to be engaged. Selecting crane mode will automatically engage low range and cause the front suspension lockouts to engage when the suspension activation button is pressed.
14. Lifting from more than one lifting point simultaneously is neither intended nor approved.
15. Handling of personnel from the boom is neither intended nor approved, except by written approval from Terex Australia Pty Ltd.
16. When either the boom length or Load Radius or both are between values listed, the smallest load shown at either the next larger Load Radius or boom length shall be used, or the interpolated value shown on the LMI may be used.
17. Side Loading of the machine and load swing out may cause structural failure or machine tip-over. Side Loads may be generated by:
 - Lifting when not level.
 - Sudden acceleration or deceleration
 - Sudden movement when articulating with a load.
 - Dragging a load.
 - Pushing a load.
 - Wind forces on load and boom structure.
18. It is safe to attempt to telescope any load within the limits of the Rated Capacity Manual. The maximum load that may be telescoped is limited by hydraulic pressure, Loaded Boom Angle and powered boom sections lubrication.
19. Boom extension 1 and boom extension 2 move simultaneously. The winch rope is fully compensated for boom extension when boom extensions 1 & 2 are being telescoped. Boom extension 3 is powered on the AT40 however there is no compensation of the winch rope as the third extension is being extended.

Operator to take care to extend rope as required while boom extension 3 is being telescoped.
20. Do not allow the winch rope to unwind fully. Always ensure a minimum of 3 wraps of rope remain on the winch drum.

21. Rated Capacity depends on tyre rating, tyre condition and tyre inflation pressure. All tyres must be in good condition and must be inflated to the recommended pressure before attempting a lift.
22. Pick & carry operation is permitted through the full Articulation range, however, Rated Capacity may be reduced by articulation, pitch or roll angle changes. The LMI in the AT40 dynamically calculates rated capacity taking crane tilt and articulation into account.
23. The maximum speed for pick & carry operation is 0.4m/s (1.44km/h). The transfer case shall be set to low range.
24. Operation of this crane in excess of the Rated Capacity and disregard of the instructions is hazardous.

LIFT AND CARRY OPERATION

Observe the following during travel with load on the crane:

- Keep the boom tip as close to the ground as possible by using:
 - The **MINIMUM** practical boom length
 - The **MINIMUM** practical Boom Angle.
- Keep the load as **CLOSE** to the ground as possible.
- Keep the load as **CLOSE** to the front of crane as possible
- Use the **MINIMUM** Articulation angle practical - **REMEMBER** the crane will side tilt when articulated and hence the hook will move towards the direction of Articulation whilst steering.
- Load swing greatly reduces stability – **REMEMBER** to tagline loads to prevent pendulum motion of the load. Travel and crane motions should be applied gently to minimise this effect.
- Always **REMEMBER**:
 - On flat ground - Increased articulation reduces load capacity
 - On sloping ground – Downhill articulation reduces load capacity.

OPERATION ON SLOPE

The operation on slope of cranes that travel with a freely suspended loads should be avoided if at all possible (refer to AS 2550.5). Mobile Cranes are primarily designed to operate on firm, flat, level ground; within a 1% (0.6°) gradient. The Rated Capacity charts in this manual are based on 0.6° chassis roll, any deviation from this requires the Rated Capacity to be confirmed via either the LMI, alternative roll charts or the online Franna lift planner.

If it is necessary to operate on slope the precautions listed below must be taken.

- **REMEMBER** that surface depressions and potholes will create the same effect as a sloping surface.
- Ensure the ground condition is **FIRM** enough to support the axle loads.
- Ensure the tyres are inflated to the correct operating pressures.
- Keep the load on the **UPHILL** side of the crane where possible. **REMEMBER** the working Load Radius will increase if the load is suspended in the downhill position.

NOTE:

The AT40 crane must at no time be operated on a slope greater than 5° (8.75% gradient).

In order to determine the slide slope of a particular site the crane's LMI can be used to give an approximation. Before commencing the lift, drive the un-laden crane slowly across the sloping surface and note the maximum slope displayed. Take the reading when the crane's articulation is zero (straight ahead) and with the boom (fully retracted) in its lowest position practical.

The AT40 is fitted with an LMI that calculates the rated capacity for the crane when the crane tilts in any direction.

SLOPE RATED CAPACITY

The degree of tilt of the front body results from a number of factors. Articulation of the crane induces tilt, as does working on a slope. In combination the body tilt is increased when the load is on the **DOWNHILL** side of the crane (when the crane articulation direction is down a side slope).

The degree of tilt of the front body and boom is further increased by the deflection of the tyres. This is illustrated in Figure 1. For instance, a 5° ground side slope may result in chassis tilt of say 7°. The LMI determines and displays the degree of body tilt measured by a sensor that is attached to the front body.

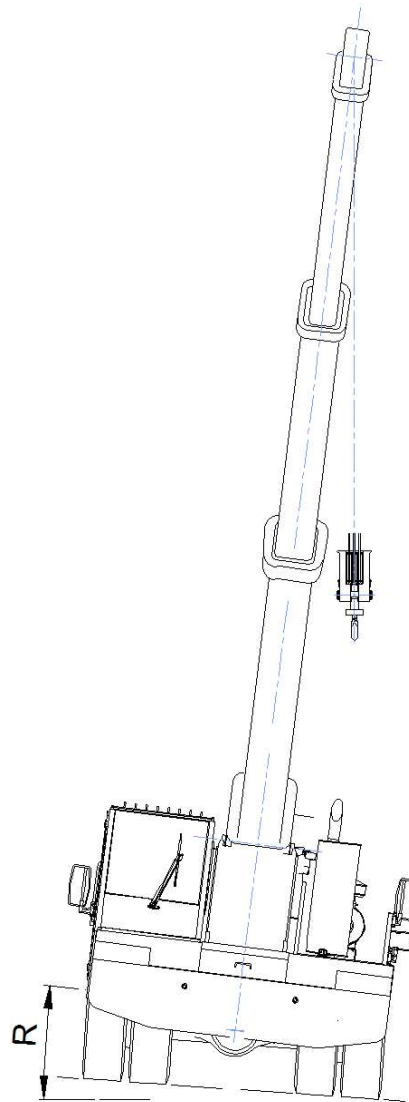


Figure 1

This sensor measures the angle of the front body, not the angle of slope of the ground. When the crane is un-laden, the boom fully down, and the crane is at zero articulation, the body will be close to the same angle as the ground, for up to 5° slope.

This body tilt angle (the “Roll”) is used by the LMI to derate the crane as this is also the angle the boom has been tilted sideways. When lifting or carrying a load in slope situations, the tilt of the body will change as the weight of load is taken by the crane. In most circumstances, this change will be further derate the crane. Hence in planning a lift, it is important to be conservative on lift capacity in any circumstance where the lift will induce significant front body tilt.

SPECIFICATIONS

ATTACHMENT MASSES

Four/six/seven falls hook block	T156389	230 kg
Four/eight falls hook block (including ramshorn hook)	T166952	270 kg
20 tonne Rhino hook	T152947	27 kg
8 tonne swivel hook	T167076	7 kg
16 tonne swivel hook	T167078	17.5 kg
26.5 tonne swivel hook	T173373	27 kg
25 tonne swivel hook	T167079	27 kg
25 tonne swivel hook	PP2087500	26 kg
32 tonne swivel hook	T166918	50 kg
32 tonne Ramshorn hook	T168687	46 kg
15 tonne spreader bar	PL15A8023	107 kg
15 tonne spreader bar	T177770	107 kg
25 tonne spreader bar	T177764	120 kg
Runner	T169059 (Assembly) T172738 (Lower arm)	110 kg

NOTE : These masses apply only to Terex Australia Pty Ltd supplied equipment.

HOOK BLOCK (FALL BLOCK)

Hook Block:	Number of Falls of Rope	Maximum Hook Block RC (kg)
	2	8700
	4	17500
	6	26200
	7	30600
	8	35000

WIRE ROPE

Wire Rope:	Rope: Non-rotating 2160 MPa	Ø14mm35W x 7
	Minimum Breaking Force:	192 kN
	Rope Length:	122 m
	WLL. (Single line pull)	4,375 kg

TYRE SPECIFICATIONS

Condition	Speed	Rated Capacity (Min)
Pick & Carry Front tyres	<1.44 km/h	14,400 kg per tyre (dual fitment) at 830 kPa (120 psi)
Pick & Carry Rear tyres		5,300 kg per tyre (dual fitment)
Highway	80 km/h	3,000 kg per tyre (dual fitment)

TYRE INFLATION CHART

Position	Construction	Inflation Pressure	
		Pick & Carry	Highway Travel
Front	385/95 R25	830 kPa (120 psi)	830 kPa (120 psi)
Rear	315/80 R22.5	830 kPa (120 psi)	830 kPa (120 psi)

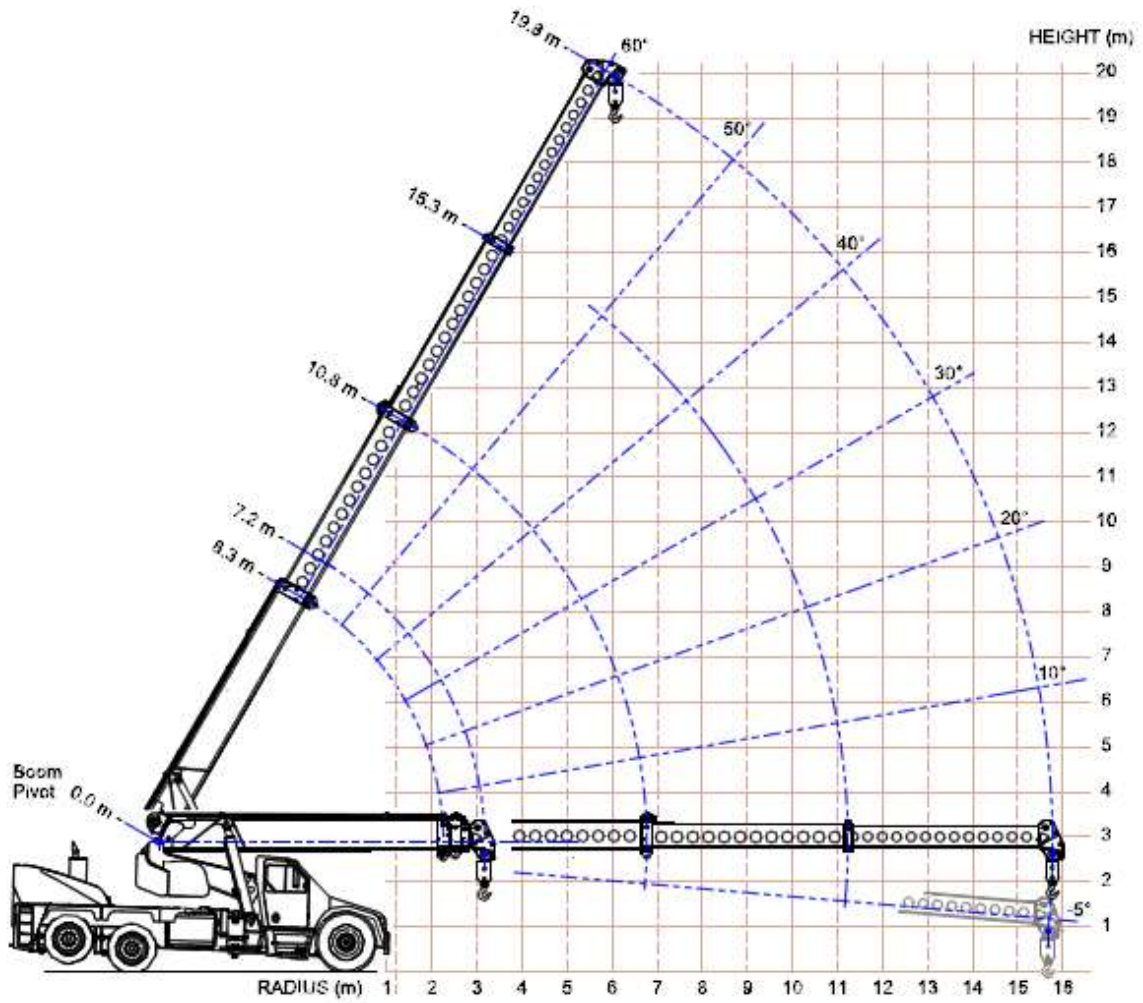
AT40 Axle Loads:

Axle loads for un-laden crane, boom fully retracted and boom angle at 0°.

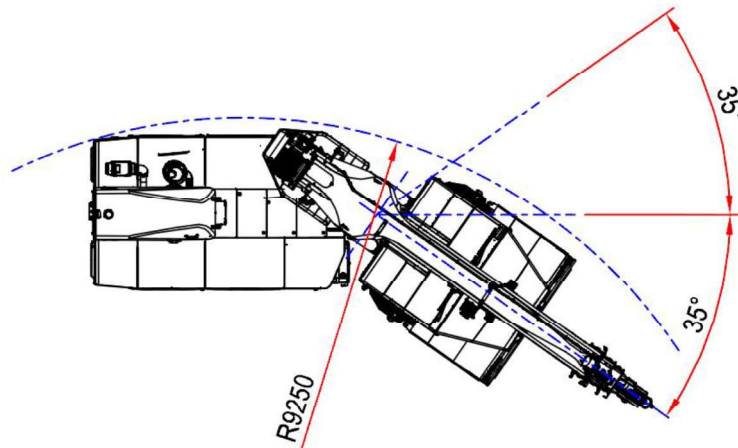
Travel Mode:	Axle 1:	11,000 kg
	Axle 2:	9,250 kg
	Axle 3:	9,250 kg
Axle 3 Raised:	Axle 1:	8,300 kg
	Axle 2:	21,200 kg
	Axle 3:	-

CRANE CONFIGURATION

RANGE DIAGRAM AT40

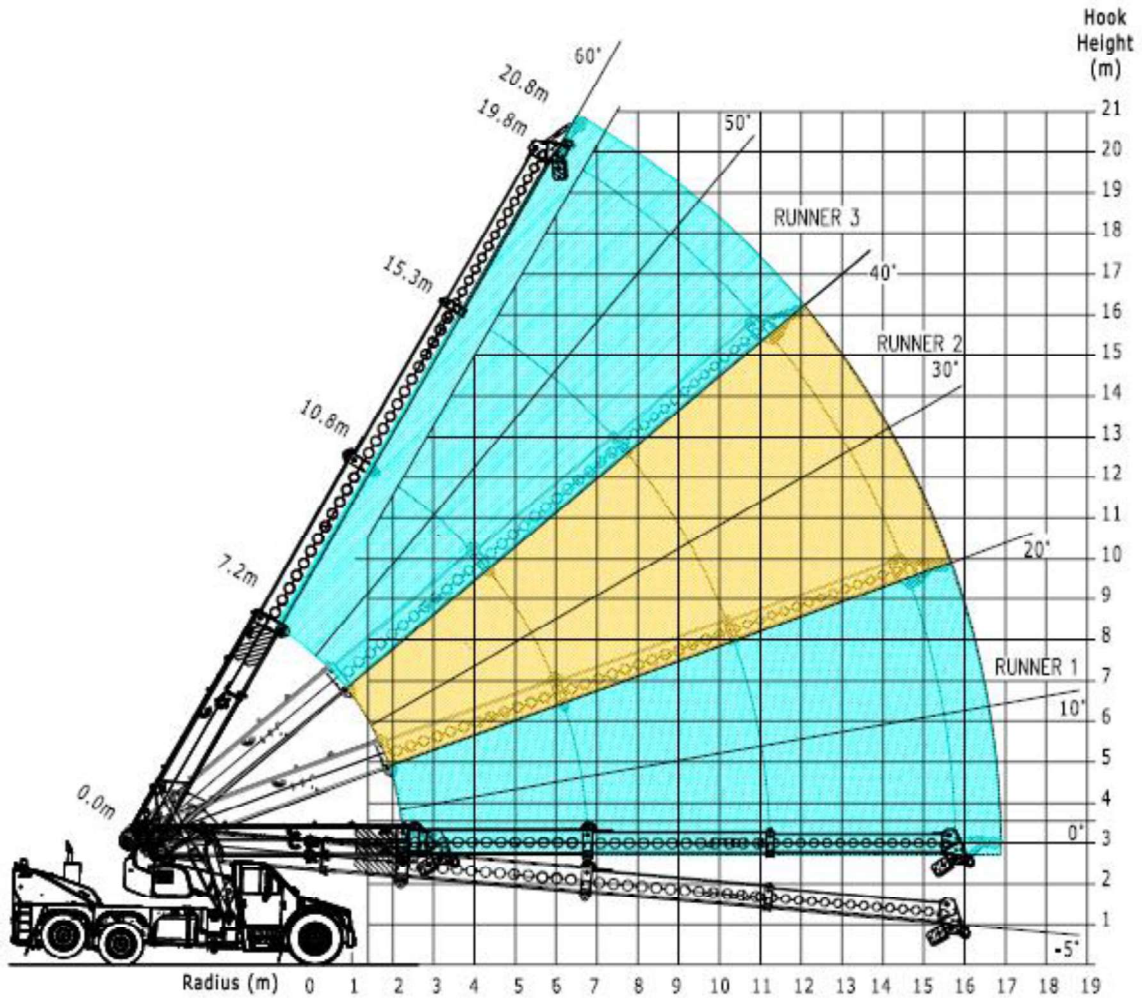


WORKING AREA DIAGRAM AT40

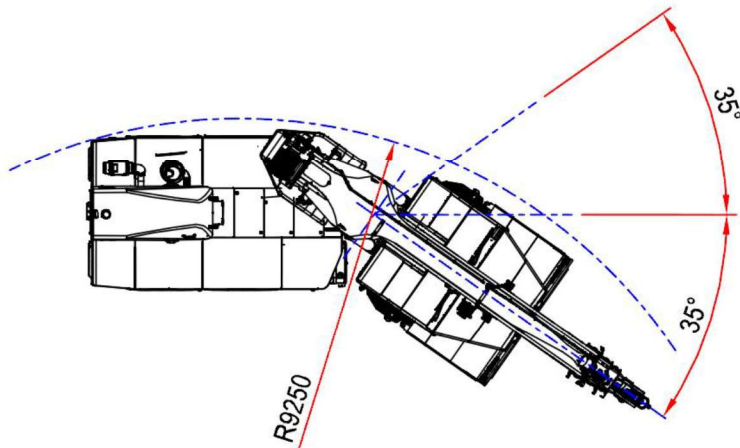


CRANE CONFIGURATION (RUNNER)

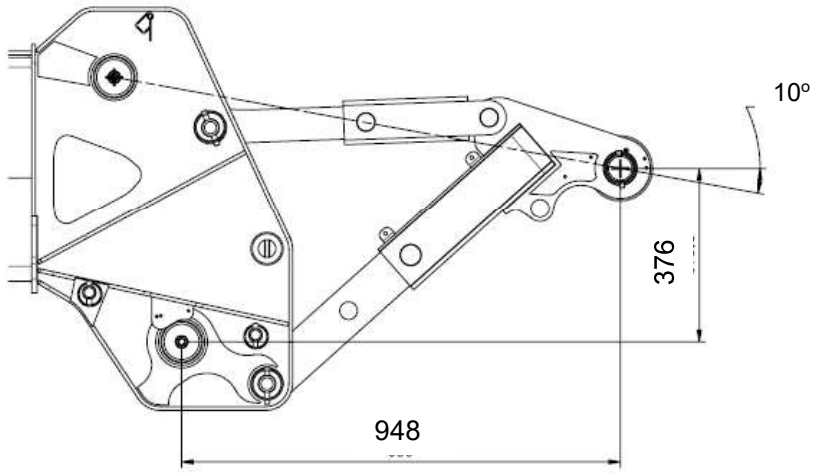
RANGE DIAGRAM RUNNER AT40



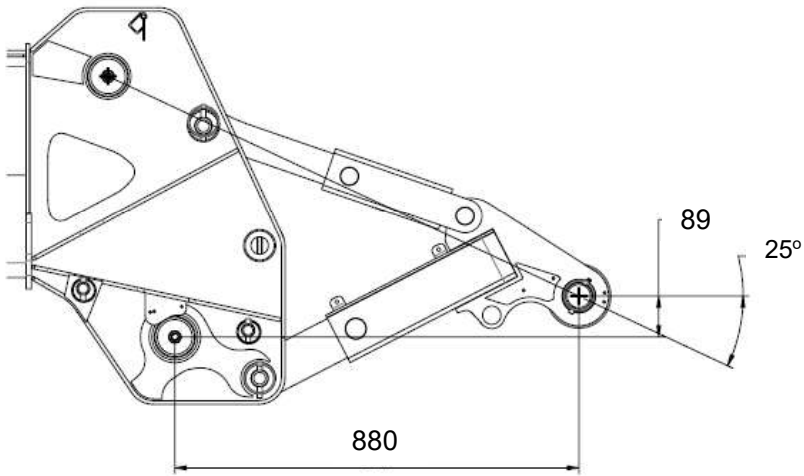
WORKING AREA DIAGRAM AT40



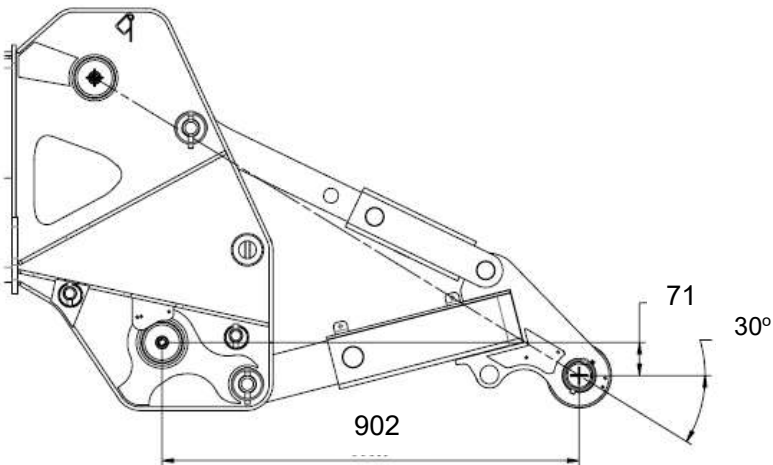
CRANE CONFIGURATION (RUNNER)



Runner 1



Runner 2



Runner 3

RATED CAPACITY CHARTS

DUTY NUMBERS

Crane lifting configuration (Duty) is designated in this Rated Capacity Manual by the use of a three-digit number and code. This code is displayed on the crane's LMI after selection by the operator.

The AT40 is supplied with both static and pick and carry charts in all duties, under the same duty number. When the crane is stationary, the LMI will display a rated capacity based on the static chart for the particular duty.

Description	Code	Duty Number
Fall Block	FB	101
Rhino Hook 20t	RH20	102
Fixed Lug	FLUG	110
Lug 1	LUG1	111
Runner 1 (10° offset) Hook	RR1H	127
Runner 1 (10° offset) Sheave	RR1S	130
Runner 1 (25° offset) Hook	RR2H	128
Runner 1 (25° offset) Sheave	RR2S	131
Runner 3 (30° offset) Hook	RR3H	129
Runner 3 (30° offset) Sheave	RR3S	132

CHART RELATED INFORMATION

- Pitch and Roll angles: Rated capacity values in the charts for the AT40 crane at 20° & at 35° articulation have been calculated using pitch and roll values consistent with lifting on firm level ground.
- RC are based on firm level ground with tyres at specified pressures. (1% max side slope (0.6°)). To calculate RC for side slopes greater than 0.6° use the LMI, alternative roll charts or the online Franna lift planner.

[See next page for information on crane rated capacity calculation for steering articulation and/or slope]

CRANE RATED CAPACITY CALCULATION FOR STEERING ARTICULATION AND/OR SLOPE

The LMI uses a complex algorithm to calculate the crane rated capacity due to the configuration of the crane and slope position. The printed rated capacity manual is only a “snapshot” of what the crane is rated to in the prescribed configuration based on flat level ground.

To check the LMI against the printed rated capacity manual requires moving the crane into a position which aligns with the configuration stated on the manual. The table below gives a range of values which can be expected based on the inputs provided. Note that values are subject to change.

Duty	101	101
Chart	Static	Static
Boom length	11.0m	15.0m
Boom angle	30°	40°
Articulation	20°	10°
Roll	-2° to 2°	-2° to 2°
Pitch	-2° to 0°	-2° to 0°
Rated capacity	12.1t to 12.6t	8.4t to 8.8t

RATED CAPACITY CHART STATIC (0 km/hr) - FALL BLOCK

Duty: **101**
FB

Rad	BOOM LENGTH TO HEAD SHEAVES - 3rd BOOM RETRACTED														3rd BOOM EXTENDING				Rad
	7.23	7.50	8.00	8.50	9.00	9.50	10.00	10.50	11.00	12.00	13.00	14.00	15.00	16.00	17.00	18.00	19.83		
1.0	35000	35000	35000	35000	35000	35000													1.0
	35000	35000	33000	28700	25500	23000													
	47	49	52	55	57	59													
2.0	35000	35000	35000	35000	35000	34900	34300	33700	33100										2.0
	34400	30800	26100	22900	20500	18500	17000	15600	14500										
	34	37	42	46	49	52	54	56	58										
2.5	30200	30300	30300	30400	30100	29600	29100	28600	28200	27400									2.5
	29400	29500	29500	29600	29300	25500	22600	20400	18500	15700									
	27800	27900	24300	21100	18800	17000	15600	14400	13400	11700									
3.0	24700	24800	24800	24900	24900	25000	25000	24800	24500	23800	23200								3.0
	24000	24100	24200	24200	24300	24300	22000	19700	17900	15100	13100								
	22700	22800	22900	19900	17600	15900	14500	13400	12400	10900	9700								
3.5	23800	21700	20900	21000	21000	21100	21100	21100	21000	20500	20100								3.5
	23200	21100	20400	20400	20500	20500	20500	19300	17400	14700	12700	11200							
	21900	19900	19200	19300	16800	15000	13600	12600	11700	10200	9100	8200							
4.0	(3.1)	(3.4)	19	28	34	38	42	45	48	52	56	59							4.0
			18600	18000	18100	18100	18200	18200	18200	18200	18200	18000	17600						
			18100	17500	17600	17600	17700	17700	17100	14300	12300	10900	9700						
5.0			17100	16500	16500	14400	13000	11900	11000	9600	8600	7700	7000						5.0
			(3.9)	19	27	33	37	41	44	49	53	56	59						
			16200	14400	14000	14000	14100	14100	14100	14100	14200	14200	14200	14200					
6.0			15800	14000	13600	13600	13700	13700	13700	11800	10300	9200	8300	7700					6.0
			14900	13100	12800	12400	11100	10100	8700	7700	6900	6300	5800	5500					
			(4.4)	(4.9)	18	26	31	36	42	47	51	54	57	59					
7.0			12800	11500	11300	11300	11400	11400	11400	11400	11400	11500	11600	11800					7.0
			12500	11200	11000	11000	11000	11100	11000	11000	10000	8800	7900	7300	6800				
			11700	10500	10300	9800	8200	7100	6300	5700	5300	5000	4800						
8.0			(5.4)	(5.9)	17	25	34	40	45	49	52	55	58						8.0
			10500	9600	9400	9400	9500	9500	9500	9500	9500	9700	9800	10000					
			10200	9300	9100	9200	9200	8600	7700	7000	6500	6000	5800						
9.0			9500	8700	8000	6700	5900	5300	4800	4600	4400	4000							9.0
			(6.4)	(6.9)	24	33	39	44	48	51	54	58							
			8100	8000	8000	8000	8100	8200	8300	8500									
10.0			7800	7700	7700	7800	7500	6900	6300	5600									10.0
			7300	6700	5600	5000	4500	4300	4000	3700									
			(7.9)	23	32	38	42	46	50	54									
11.0			6900	6800	6900	6900	7000	7200	7300										11.0
			6700	6600	6600	6700	6800	6200	5400										
			6200	5600	4800	4300	4000	3800	3500										
12.0			(8.9)	22	31	37	41	45	51										12.0
			6000	5900	6000	6100	6200	6400											
			5800	5700	5800	5900	6000	5300											
13.0			5400	4800	4100	3800	3600	3200											13.0
			(9.9)	21	30	36	40	47											
			5300	5200	5400	5500	5600												
14.0			5100	5100	5200	5300	5200												14.0
			4700	4200	3700	3400	3100												
			(10.9)	21	29	35	42												
15.0			4700	4700	4800	5000													15.0
			4500	4600	4700	4800													
			4200	3700	3300	2900													
15.683			(11.9)	20	28	38													15.683
			4200	4300	4500														
			4100	4200	4300														
16.83			3800	3400	2800														16.83
			(12.9)	20	32														
			3900	4000															
18.0			3500	2800															18.0
			(13.9)	26															
			3300	3000															
19.83			3000																19.83
			0																
			13.00	14.00	15.00	16.00	17.00	18.00	19.83										

WINCH RATED CAPACITY

2 FALLS	8700
4 FALLS	17500
6 FALLS	26200
7 FALLS	30600
8 FALLS	35000

UNITS:

- ANGLES IN DEGREES
- LENGTHS IN METRES
- LOAD IN KILOGRAMS

KEY:

14200	RC @ ARTIC:	0°	PITCH:	-2.3	ROLL:	-1.0
10300	RC @ ARTIC:	20°	PITCH:	-2.3	ROLL:	-3.0
6900	RC @ ARTIC:	35°	PITCH:	-2.3	ROLL:	-3.5
51	BOOM ANGLE					
(3.1)	RADIUS AT ZERO BOOM ANGLE					

Note: Pitch & Roll angles indicated are representative of lifts based on firm level ground with tyres at specified pressures.

RATED CAPACITY CHART PICK AND CARRY (0 - 1.44 km/hr) - FALL BLOCK



Duty:	101
	FB

Rad	BOOM LENGTH TO HEAD SHEAVES - 3rd BOOM RETRACTED														3rd BOOM EXTENDING				Rad
	7.23	7.50	8.00	8.50	9.00	9.50	10.00	10.50	11.00	12.00	13.00	14.00	15.00	16.00	17.00	18.00	19.83		
1.0	35000	35000	35000	35000	35000	35000													
	35000	33300	28500	25000	22300	20100													
	47	49	52	55	57	59													
2.0	34100	34200	34200	34300	34300	33600	33000	32300	31800										
	30600	27400	23300	20500	18300	16600	15200	14000	13000										
	34	37	42	46	49	52	54	56	58										
2.5	26800	26900	26900	27000	27000	27000	27100	27100	27100	26300									
	26100	26200	26200	26300	25400	22200	19800	17800	16300	13800									
	24700	24800	21900	19100	17000	15400	14100	13000	12100	10600									
3.0	22000	22000	22100	22100	22200	22200	22200	22200	22200	22300	22300								
	21400	21400	21500	21500	21600	21600	19400	17400	15800	13400	11600								
	20200	20200	20300	18200	16000	14400	13200	12200	11300	9900	8800								
3.5	21200	19300	18600	18600	18700	18700	18700	18800	18800	18800	18800	18800							
	20600	18800	18100	18100	18200	18200	18200	18200	17100	15500	13000	11300	9900						
	19500	17700	17100	17100	15400	13800	12500	11500	10600	9300	8300	7400							
4.0	(3.1)	(3.4)	19	28	34	38	42	45	48	52	56	59							
			16500	16000	16100	16100	16100	16200	16200	16200	16200	16200	16200						
			16100	15600	15600	15700	15700	15700	15300	12800	11000	9700	8600						
5.0			15200	14700	14800	13300	12000	10900	10100	8800	7800	7000	6400						
			(3.9)	19	27	33	37	41	44	49	53	56	59						
			14400	12800	12400	12500	12500	12500	12500	12600	12600	12600	12600	12800					
6.0			14000	12400	12100	12100	12100	12100	12200	12200	10600	9300	8200	7400	6800				
			13200	11700	11400	11400	10300	9400	8000	7100	6300	5700	5300	5000					
			(4.4)	(4.9)	18	26	31	36	42	47	51	54	57	59					
7.0					11400	10300	10000	10100	10100	10100	10200	10200	10200	10300	10400				
					11100	10000	9800	9800	9800	9800	9000	7900	7100	6600	6100				
					10400	9400	9200	9200	7600	6600	5800	5200	4800	4500	4300				
8.0					(5.4)	(5.9)	17	25	34	40	45	49	52	55	58				
					9300	8500	8400	8400	8400	8400	8500	8600	8700	8900					
					9000	8200	8100	8100	8200	7800	6900	6300	5900	5200					
9.0					8500	7700	7500	6300	5500	4900	4400	4200	4000	3700					
					(6.4)	(6.9)	24	33	39	44	48	51	54	58					
					7200	7100	7100	7200	7300	7400	7500								
10.0					6900	6900	6900	6900	6800	6200	5700	5000							
					6500	6300	5200	4600	4100	3900	3700	3400							
					(7.9)	23	32	38	42	46	50	54							
11.0					6100	6100	6100	6100	6300	6400	6500								
					5900	5900	5900	5900	6100	6100	5600	4900							
					5500	5300	4400	3900	3700	3500	3200								
12.0					(8.9)	22	31	37	41	45	51								
					5300	5300	5300	5400	5500	5700									
					5200	5100	5100	5300	5400	4800									
13.0					4800	4500	3800	3500	3300	3000									
					(9.9)	21	30	36	40	47									
					4700	4700	4800	4900	5000										
14.0					4500	4500	4600	4700	4800										
					4200	3900	3400	3200	2800										
					(10.9)	21	29	35	42										
15.0					4100	4200	4300	4500											
					4000	4100	4200	4300											
					3700	3500	3100	2700											
15.683					(11.9)	20	28	38											
					3800	3800	4000												
					3600	3700	3800												
16.883					3400	3200	2600												
					(12.9)	20	32												
					3400	3600													
17.883					3100	2600													
					(13.9)	26													
					3200														
18.883					2700														
					17														
					3000														
19.883					2600														
					0														
					13.00	14.00	15.00	16.00	17.00	18.00	19.83								

WINCH RATED CAPACITY

2 FALLS	8700
4 FALLS	17500
6 FALLS	26200
7 FALLS	30600
8 FALLS	35000

UNITS:

- ANGLES IN DEGREES
- LENGTHS IN METRES
- LOAD IN KILOGRAMS

KEY:

12600	RC @ ARTIC: 0°	PITCH: -2.3	ROLL: -1.0
9300	RC @ ARTIC: 20°	PITCH: -2.3	ROLL: -3.0
6300	RC @ ARTIC: 35°	PITCH: -2.3	ROLL: -3.5
51	BOOM ANGLE		
(3.1)	RADIUS AT ZERO BOOM ANGLE		

Note: Pitch & Roll angles indicated are representative of lifts based on firm level ground with tyres at specified pressures.

RATED CAPACITY CHART STATIC (0 km/hr) - RHINO HOOK

Duty: **102**
RH20

Rad	BOOM LENGTH TO RHINO HOOK CENTRE - 3rd BOOM RETRACTED														3rd BOOM EXTENDING				Rad
	7.59	8.00	8.50	9.00	9.50	10.00	10.50	11.00	11.50	12.50	13.50	14.50	15.50	16.50	17.50	18.50	20.20		
1.0	20000	20000	20000	20000	20000														
	20000	20000	20000	20000	20000														
	50	53	55	58	60														
2.0	20000	20000	20000	20000	20000	20000	20000	20000	20000										
	20000	20000	20000	20000	18600	17000	15700	14500	13500										
	39	43	46	49	52	54	56	58	60										
2.5	20000	20000	20000	20000	20000	20000	20000	20000	20000	20000									
	20000	20000	20000	20000	20000	20000	20000	18500	17000	14500									
	20000	20000	20000	18900	17100	15600	14400	13400	12500	11000									
3.0	20000	20000	20000	20000	20000	20000	20000	20000	20000	20000	20000								
	20000	20000	20000	20000	20000	20000	19700	17900	16400	14000	12200								
	20000	20000	20000	17700	15900	14500	13400	12400	11600	10200	9100								
3.5	20000	20000	20000	20000	20000	20000	20000	20000	20000	20000	20000	19800							
	20000	20000	20000	20000	20000	20000	19200	17400	15900	13500	11800	10500							
	19400	19300	19300	16800	15000	13600	12500	11600	10800	9600	8600	7700							
4.0	(3.5)	20	29	34	39	43	46	48	51	54	58	60							
	18600	18100	18100	18100	18100	18200	18200	18200	18200	18200	18100	17700	17300						
	18100	17600	17600	17600	17700	17700	17700	17100	15500	11500	10100	9100							
5.0	17100	16600	16500	14400	13000	11900	11000	10200	9000	8000	7300	6600							
	(3.9)	19	28	33	38	41	45	47	52	55	58	60							
	16200	14300	14000	14000	14000	14000	14100	14100	14100	14100	14100	14100	14000						
6.0	15800	13900	13600	13600	13600	13700	13700	13700	12700	10900	9600	8600	7800	7200					
	14900	13100	12800	12400	11100	10100	9300	8100	7200	6500	5900	5500	5200						
	(4.4)	(4.9)	18	26	32	36	40	45	50	53	56	59	61						
7.0	12800	11500	11300	11300	11300	11300	11300	11300	11300	11400	11400	11400	11600	11700					
	12400	11200	10900	11000	11000	11000	11000	11000	10600	9200	8200	7400	6900	6400					
	11700	10500	10300	9800	8800	7500	6600	5900	5400	4900	4700	4500							
8.0	(5.4)	(5.9)	17	25	30	38	43	48	51	54	57	59							
	10400	9500	9300	9400	9400	9400	9400	9400	9500	9600	9700	9500							
	10100	9200	9000	9100	9100	9100	9100	9100	9100	7900	6600	6100	5500						
9.0	9500	8600	8500	7200	6200	5500	4900	4500	4300	4100	3800								
	(6.4)	(6.9)	17	29	37	42	46	50	53	55	59								
	8700	7900	7900	7900	7900	8000	8100	8200	8400										
10.0	8400	7600	7600	7700	7700	7700	7000	6400	5900	5300									
	7900	7100	6000	5200	4600	4200	3900	3700	3500										
	(7.4)	16	28	35	41	45	48	51	55										
11.0	7400	6700	6800	6800	6800	6800	7000	7100	7200										
	7100	6500	6500	6600	6600	6600	6300	5800	5100										
	6700	6100	5000	4300	3900	3700	3500	3200											
12.0	(8.4)	16	27	34	39	44	47	52											
	6300	5800	5800	5900	6000	6100	6300												
	6100	5600	5600	5700	5800	5700	5000	4500	3800										
13.0	5700	5200	4300	3700	3500	3300	3000												
	(9.4)	15	26	33	38	42	48												
	5500	5100	5100	5300	5400	5500													
14.0	5300	4900	5000	5100	5200	4900													
	4900	4500	3700	3300	3100	2800													
	(10.4)	15	26	32	37	44													
15.0	4800	4500	4600	4700	4900														
	4600	4300	4500	4600	4700														
	4300	3900	3300	3000	2700														
16.05	(11.4)	14	25	32	39														
	4300	4100	4200	4300															
	4100	3900	4000	4200															
17.0	3800	3500	3000	2600															
	(12.4)	14	24	34															
	3900	3700	3900																
18.0	3400	3200	2500																
	(13.4)	14	28																
	3600	3500																	
19.0	3100	2500																	
	(14.4)	21																	
	3100	2700																	
20.0	2700																		
	0																		
	13.50	14.50	15.50	16.50	17.50	18.50	20.20												

UNITS:
- ANGLES IN DEGREES
- LENGTHS IN METRES
- LOAD IN KILOGRAMS

KEY:

14100	RC @ ARTIC: 0°	PITCH: -2.3	ROLL: -1.0
9600	RC @ ARTIC: 20°	PITCH: -2.3	ROLL: -3.0
6500	RC @ ARTIC: 35°	PITCH: -2.3	ROLL: -3.5
53	BOOM ANGLE		
(3.5)	RADIUS AT ZERO BOOM ANGLE		

Note: Pitch & Roll angles indicated are representative of lifts based on firm level ground with tyres at specified pressures.

RATED CAPACITY CHART - RHINO HOOK

Duty: **102**
 **RH20**

Rad	BOOM LENGTH TO RHINO HOOK CENTRE - 3rd BOOM RETRACTED														3rd BOOM EXTENDING				Rad
	7.59	8.00	8.50	9.00	9.50	10.00	10.50	11.00	11.50	12.50	13.50	14.50	15.50	16.50	17.50	18.50	20.20		
1.0	20000	20000	20000	20000	20000														
	20000	20000	20000	20000	20000														
	50	53	55	58	60														
2.0	20000	20000	20000	20000	20000	20000	20000	20000	20000										
	20000	20000	18400	16600	15200	14000	13000	12100											
	39	43	46	49	52	54	56	58	60										
2.5	20000	20000	20000	20000	20000	20000	20000	20000	20000	20000									
	20000	20000	20000	20000	19800	17800	16200	14900	12800										
	20000	20000	19200	17000	15400	14100	13000	12000	11200	9900									
3.0	20000	20000	20000	20000	20000	20000	20000	20000	20000	20000	20000								
	20000	20000	20000	20000	19300	17400	15800	14400	12400	10800									
	20000	20000	18200	16100	14500	13200	12100	11200	10500	9200	8200								
3.5	18800	18600	18700	18700	18700	18700	18800	18800	18800	18800	18800	18800							
	18200	18100	18200	18200	18200	18200	17100	15400	14100	12000	10500	9300							
	17200	17100	17200	15400	13800	12500	11400	10600	9900	8700	7700	7000							
4.0	(3.5)	20	29	34	39	43	46	48	51	54	58	60							
	16600	16000	16100	16100	16100	16100	16200	16200	16200	16200	16200	16200							
	16100	15600	15600	15700	15700	15700	15200	13800	11700	10200	9000	8000							
5.0	15200	14700	14800	13300	12000	10900	10100	9300	8200	7300	6600	6000							
	(3.9)	19	28	33	38	41	45	47	52	55	58	60							
	14400	12700	12400	12400	12500	12500	12500	12500	12500	12500	12600	12700							
6.0	14000	12400	12100	12100	12100	12100	12100	11400	9800	8600	7600	6900	6400						
	13200	11600	11400	11400	10300	9300	8600	7500	6600	5900	5400	4900	4700						
	(4.4)	(4.9)	18	26	32	36	40	45	50	53	56	59	61						
7.0	11400	10200	10000	10000	10000	10100	10100	10100	10100	10200	10300	10400							
	11000	9900	9700	9700	9700	9700	9700	9800	9600	8300	7300	6600	6100	5700					
	10400	9300	9100	9100	8200	6900	6100	5400	4900	4500	4200	4000							
8.0	(5.4)	(5.9)	17	25	30	38	43	48	51	54	57	59							
	9200	8400	8300	8300	8300	8300	8400	8400	8500	8600	8800								
	9000	8200	8000	8100	8100	8100	8100	8100	7200	6400	5900	5500	4900						
9.0	8400	7700	7500	6700	5700	5000	4500	4100	3900	3700	3400								
	(6.4)	(6.9)	17	29	37	42	46	50	53	55	59								
	7700	7000	7000	7000	7000	7100	7200	7300	7400										
10.0	7500	6800	6800	6800	6800	6300	5800	5300	4700										
	7000	6300	5600	4800	4200	3800	3600	3400	3100										
	(7.4)	16	28	35	41	45	48	51	55										
11.0	6500	6000	6000	6000	6100	6200	6300	6400											
	6300	5800	5800	5800	5900	5700	5200	4600											
	5900	5400	4700	4000	3600	3400	3200	2900											
12.0	(8.4)	16	27	34	39	44	47	52											
	5600	5200	5200	5200	5400	5400	5600												
	5400	5000	5000	5100	5200	5200	4500												
13.0	5100	4600	4000	3500	3200	3000	2700												
	(9.4)	15	26	33	38	42	48												
	4900	4500	4600	4700	4800	4900													
14.0	4700	4300	4400	4500	4600	4400													
	4400	4000	3400	3100	2900	2600													
	(10.4)	15	26	32	37	44													
15.0	4300	4000	4100	4200	4300														
	4100	3900	4000	4100	4200														
	3800	3600	3100	2800	2400														
16.05	(11.4)	14	25	32	39														
	3800	3600	3700	3900															
	3700	3500	3600	3700															
17.0	3400	3200	2800	2400															
	(12.4)	14	24	34															
	3500	3300	3400																
18.0	3100	2900	2300																
	(13.4)	14	28																
	3200	3100																	
19.0	2800	2400																	
	(14.4)	21																	
	2700	2400																	
20.0	2400																		
	0																		
	13.50	14.50	15.50	16.50	17.50	18.50	20.20												

- UNITS:**
- ANGLES IN DEGREES
 - LENGTHS IN METRES
 - LOAD IN KILOGRAMS

KEY:

12500	RC @ ARTIC: 0°	PITCH: -2.3	ROLL: -1.0
8600	RC @ ARTIC: 20°	PITCH: -2.3	ROLL: -3.0
5900	RC @ ARTIC: 35°	PITCH: -2.3	ROLL: -3.5
53	BOOM ANGLE		
(3.5)	RADIUS AT ZERO BOOM ANGLE		

Note: Pitch & Roll angles indicated are representative of lifts based on firm level ground with tyres at specified pressures.

RATED CAPACITY CHART - FIXED LUG (BUTT)

Duty: **110**
FLUG

Rad	RC
1.0	40000
	40000
	39
1.1	40000
	39900
	37
1.2	39700
	39100
	35
1.3	39000
	38400
	34
1.5	37600
	36900
	30
1.7	36300
	35600
	25
1.9	35100
	34300
	20
2.2	33500
	31000
	0

UNITS:

- ANGLES IN DEGREES
- LENGTHS IN METRES
- LOAD IN KILOGRAMS

KEY:

40000	RC @ ARTIC: 0°	PITCH: -2.3	ROLL: -1.0
39900	RC @ ARTIC: 35°	PITCH: -2.3	ROLL: -3.5
37	Boom Angle		

Note: Pitch & Roll angles indicated are representative of lifts based on firm level ground with tyres at specified pressures.

RATED CAPACITY CHART PICK AND CARRY (0 - 1.44 km/hr) - FIXED LUG (BUTT)

Duty: **110**
 **FLUG**

Rad	RC
1.0	40000
	40000
	39
1.1	40000
	39900
	37
1.2	39700
	39100
	35
1.3	39000
	38400
	34
1.5	37600
	36900
	30
1.7	36300
	35600
	25
1.9	34800
	32100
	20
2.2	30000
	27500
	0

UNITS:

- ANGLES IN DEGREES
- LENGTHS IN METRES
- LOAD IN KILOGRAMS

KEY:

40000	RC @ ARTIC: 0°	PITCH: -2.3	ROLL: -1.0
39900	RC @ ARTIC: 35°	PITCH: -2.3	ROLL: -3.5
37	Boom Angle		

Note: Pitch & Roll angles indicated are representative of lifts based on firm level ground with tyres at specified pressures.

RATED CAPACITY CHART STATIC (0 km/hr) - LUG 1

Duty: **111**
LUG1

Rad	BOOM LENGTH TO LUG 1									Rad
	6.58	7.00	7.50	8.00	8.50	9.00	9.50	10.00	10.83	
1.0	30000	30000	30000	30000	30000	30000	30000			1.0
	30000	30000	30000	30000	25800	22500	19800			
	41	45	49	53	55	58	60			
1.5	30000	30000	30000	30000	30000	30000	30000	30000		1.5
	30000	30000	30000	26400	22600	19800	17500			
	34	39	44	48	51	54	56	58		
2.0	30000	30000	30000	30000	30000	30000	30000	30000	30000	2.0
	30000	30000	30000	30000	30000	27300	23500	20600	16900	
	30000	30000	28600	23700	20300	17700	15700	14100	11900	
	24	31	38	42	46	49	52	55	58	
2.5	30000	29100	28900	28700	28500	27900	27200	26500	25500	2.5
	29100	28300	28100	27900	27700	26500	22600	19700	16200	
	27500	26700	26500	22000	18600	16200	14300	12800	10800	
	(2.4)	21	30	36	41	45	48	51	55	
3.0		24900	23500	23400	23200	23100	22900	22700	21900	3.0
		24200	22900	22700	22500	22400	22100	19100	15600	
		22800	21500	21100	17500	15100	13200	11800	9900	
		(2.9)	21	29	35	40	44	47	51	
3.5			20500	19500	19400	19300	19200	19000	18900	3.5
			19900	19000	18800	18700	18600	18500	15100	
			18700	17800	17000	14300	12400	11000	9200	
			(3.4)	20	29	34	39	43	48	
4.5				17300	14800	14200	14100	14000	13900	4.5
				16800	14300	13800	13700	13600	13400	
				15700	13400	12900	11700	10000	8100	
				(3.9)	(4.4)	19	27	33	40	
5.5						12800	11200	10800	10700	5.5
						12400	10800	10400	10300	
						11600	10100	9700	7600	
						(4.9)	(5.4)	18	30	
6.5								9800	8500	6.5
								8800	7500	
								(5.9)	13	
6.7									8100	6.7
									7200	
									0	
	6.58	7.00	7.50	8.00	8.50	9.00	9.50	10.00	10.83	

UNITS:

- ANGLES IN DEGREES
- LENGTHS IN METRES
- LOAD IN KILOGRAMS

KEY:

19300	RC @ ARTIC: 0°	PITCH: -2.3	ROLL: -1.0
18700	RC @ ARTIC: 20°	PITCH: -2.3	ROLL: -3.0
14300	RC @ ARTIC: 35°	PITCH: -2.3	ROLL: -3.5
34	BOOM ANGLE		
(3.4)	RADIUS AT ZERO BOOM ANGLE		

Note: Pitch & Roll angles indicated are representative of lifts based on firm level ground with tyres at specified pressures.

RATED CAPACITY CHART PICK AND CARRY (0 - 1.44 km/hr) - LUG 1



Rad	BOOM LENGTH TO LUG 1										Rad
	6.58	7.00	7.50	8.00	8.50	9.00	9.50	10.00	10.83		
1.0	30000	30000	30000	30000	30000	30000	30000				1.0
	30000	30000	30000	26000	22300	19500	17200				
	41	45	49	53	55	58	60				
1.5	30000	30000	30000	30000	30000	30000	30000	30000			1.5
	30000	30000	27500	23100	19800	17300	15400	13700			
	34	39	44	48	51	54	56	58			
2.0	30000	30000	30000	30000	30000	30000	30000	30000	29000		2.0
	30000	30000	30000	30000	27600	23300	20100	17600	14600		
	30000	30000	25300	21100	18000	15700	13900	12400	10500		
	24	31	38	42	46	49	52	55	58		
2.5	26600	25900	25700	25500	25300	25200	25100	24900	24600		2.5
	25900	25200	25000	24800	24600	22800	19500	17000	14000		
	24500	23800	23600	19700	16700	14500	12800	11400	9600		
	(2.4)	21	30	36	41	45	48	51	55		
3.0		22100	20900	20800	20600	20500	20400	20300	20100		3.0
		21500	20300	20200	20000	19900	19200	16600	13600		
		20300	19100	19000	15900	13600	11900	10600	8800		
		(2.9)	21	29	35	40	44	47	51		
3.5			18200	17400	17200	17100	17000	16900	16800		3.5
			17700	16900	16700	16600	16500	16400	13300		
			16700	15800	15500	13000	11300	9900	8200		
			(3.4)	20	29	34	39	43	48		
4.5				15400	13100	12600	12500	12500	12300		4.5
				14900	12700	12200	12100	12100	11900		
				14000	11900	11400	10700	9100	7400		
				(3.9)	(4.4)	19	27	33	40		
5.5						11400	9900	9600	9500		5.5
						11000	9600	9300	9200		
						10300	9000	8600	7000		
						(4.9)	(5.4)	18	30		
6.5								8700	7500		6.5
								7800	6700		
								(5.9)	13		
6.7									7200		6.7
									6400		
									0		
	6.58	7.00	7.50	8.00	8.50	9.00	9.50	10.00	10.83		

UNITS:

- ANGLES IN DEGREES
- LENGTHS IN METRES
- LOAD IN KILOGRAMS

KEY:

17100	RC @ ARTIC: 0°	PITCH: -2.3	ROLL: -1.0
16600	RC @ ARTIC: 20°	PITCH: -2.3	ROLL: -3.0
13000	RC @ ARTIC: 35°	PITCH: -2.3	ROLL: -3.5
34	BOOM ANGLE		
(3.4)	RADIUS AT ZERO BOOM ANGLE		

Note: Pitch & Roll angles indicated are representative of lifts based on firm level ground with tyres at specified pressures.

RATED CAPACITY CHART STATIC (0 km/hr) - RUNNER 1 (10° OFFSET)

Hook
Sheave

Duty:	127	RR1H
Duty:	130	RR1S

Rad	BOOM LENGTH - 3rd BOOM RETRACTED															3rd BOOM EXTENDING				Rad
	8.17	8.50	9.00	9.50	10.00	10.50	11.00	11.50	12.00	13.00	14.00	15.00	16.00	17.00	18.00	19.00	20.78			
2.0	18000																			
	18000																			
	40																			
2.5	18000	18000																		
	18000	18000																		
	18000	18000																		
3.0	18000	18000	18000																	
	18000	18000	18000																	
	18000	18000	18000																	
3.5	18000	18000	18000	18000	18000															
	18000	18000	18000	18000	18000															
	18000	18000	17200	15300	13900															
4.0	18000	18000	18000	18000	18000	18000														
	17700	17700	17700	17700	17700	17700														
	16700	16700	16700	14700	13200	12100														
5.0	18000	16500	14500	14100	14100	14100	14100	14100	14100											
	17500	16000	14100	13700	13700	13700	13700	13700	13700											
	16500	15100	13300	12900	12700	11300	10300	9400	8800											
6.0	(4.0)	(4.4)	(4.9)	15	23	29	33	37	40											
				13000	11600	11300	11300	11300	11300	11300										
				12600	11300	11000	11000	11000	11000	11000										
7.0				11800	10600	10400	10000	9000	8200	7100										
				(5.4)	(5.9)	15	23	28	32	39										
						10500	9600	9400	9400	9400	9400									
8.0						10200	9300	9100	9100	9100	9100									
						9600	8700	8500	8100	6700	5900									
						(6.4)	(6.9)	14	22	31	37									
9.0								8800	8100	7900	7900	7900								
								8500	7800	7700	7700	7700								
								8000	7300	6700	5600	4900								
10.0								(7.4)	(7.9)	21	30	36								
								6900	6800	6800	6800	6800								
								6700	6600	6500	6500	6500								
11.0								6200	5600	4700	4100	3700								
								(8.9)	20	29	35	40								
								6000	5900	5900	5900	6000								
12.0								5800	5700	5700	5700	5800								
								5400	4800	4000	3600	3300								
								(9.9)	20	28	34	39								
13.0								5200	5100	5100	5200	5300								
								5000	4900	5000	5100	5200								
								4600	4100	3500	3200	3000								
14.0								(10.9)	19	28	33	38								
								4600	4500	4600	4700	4800								
								4400	4400	4500	4500	4600								
15.0								4100	3500	3100	2800	2500								
								(11.9)	19	27	33	40								
								4100	4100	4200	4300									
16.0								3900	3900	4000	4200									
								3600	3200	2800	2400									
								(12.9)	18	26	35									
16.64								4100	3700	3900										
								3200	2900	2400										
								(13.9)	18	30										
17.0								3400	3500											
								3000	2300											
								(14.9)	24											
18.0								3100	2500											
								2300	1500											
								(15.9)	15											
19.0								2900	2600											
								2600	2000											
								(16.9)	0											
20.78								14.00	15.00	16.00	17.00	18.00	19.00	20.78						

WINCH RATED CAPACITY

		Duty
1 FALLS	4300	130
2 FALLS	8700	130
HOOK	18000	127

UNITS:

- ANGLES IN DEGREES
- LENGTHS IN METRES
- LOAD IN KILOGRAMS

KEY:

14100	RC @ ARTIC: 0°	PITCH: -2.3	ROLL: -1.0
13700	RC @ ARTIC: 20°	PITCH: -2.3	ROLL: -3.0
12700	RC @ ARTIC: 35°	PITCH: -2.3	ROLL: -3.5
23	BOOM ANGLE		
(5.9)	RADIUS AT ZERO BOOM ANGLE		

Note: Pitch & Roll angles indicated are representative of lifts based on firm level ground with tyres at specified pressures.

RATED CAPACITY CHART PICK AND CARRY (0 - 1.44 km/hr) - RUNNER 1 (10° OFFSET)



Hook
Sheave

Duty:	127	RR1H
Duty:	130	RR1S

Rad	BOOM LENGTH - 3rd BOOM RETRACTED																3rd BOOM EXTENDING				Rad
	8.17	8.50	9.00	9.50	10.00	10.50	11.00	11.50	12.00	13.00	14.00	15.00	16.00	17.00	18.00	19.00	20.78				
2.0	18000																				
	18000																				
	40																				
2.5	18000	18000																			
	18000	18000																			
	18000	18000																			
3.0	18000	18000	18000																		
	18000	18000	18000																		
	18000	18000	16400																		
3.5	18000	18000	18000	18000	18000																
	18000	18000	18000	18000	18000																
	17300	17300	15800	14000	12700																
4.0	16200	16200	16200	16200	16200	16200															
	15700	15700	15700	15700	15700	15700															
	14800	14900	14900	13600	12200	11100															
5.0	16000	14600	12900	12500	12500	12500	12500	12500	12500												
	15500	14200	12500	12200	12200	12200	12200	12200	12100												
	14700	13400	11800	11500	11500	10500	9500	8700	8100												
6.0	(4.0)	(4.4)	(4.9)	15	23	29	33	37	40												
				11500	10300	10100	10100	10100	10100	10100											
				11200	10000	9800	9800	9800	9800	9800											
7.0				10500	9400	9200	9200	8400	7600	6600											
				(5.4)	(5.9)	15	23	28	32	39											
				9400	8500	8300	8300	8300	8300	8300											
8.0				9100	8300	8100	8100	8100	8100	8100											
				8500	7800	7600	7600	6300	5400												
				(6.4)	(6.9)	14	22	31	37												
9.0				7800	7200	7000	7000	7000	7000												
				7600	7000	6800	6800	6800													
				7100	6500	6300	5200	4500													
10.0				(7.4)	(7.9)	21	30	36													
				6100	6000	6000	6000	6000	6000												
				5900	5800	5800	5800	5800													
11.0				5500	5300	4400	3800	3400													
				(8.9)	20	29	35	40													
				5300	5200	5200	5200	5300													
12.0				5100	5000	5000	5100	5100													
				4800	4500	3700	3300	3000													
				(9.9)	20	28	34	39													
13.0				4600	4500	4600	4700	4700													
				4400	4400	4400	4500	4600													
				4100	3800	3200	2900	2700													
14.0				(10.9)	19	28	33	38													
				3600	3600	3700	3800														
				3500	3500	3600	3700														
15.0				3200	3000	2600	2200														
				(12.9)	18	26	35														
				3600	3300	3400															
16.0				3000	2700	2200															
				(13.9)	18	30															
				2600	2200																
16.64				(14.9)	24																
				2800																	
				2300																	
			15																		
			2600																		
			2300																		
			0																		
			14.00	15.00	16.00	17.00	18.00	19.00	20.78												

WINCH RATED CAPACITY

		Duty
1 FALLS	4300	130
2 FALLS	8700	130
HOOK	18000	127

UNITS:

- ANGLES IN DEGREES
- LENGTHS IN METRES
- LOAD IN KILOGRAMS

KEY:

12500	RC @ ARTIC: 0°	PITCH: -2.3	ROLL: -1.0
12200	RC @ ARTIC: 20°	PITCH: -2.3	ROLL: -3.0
11500	RC @ ARTIC: 35°	PITCH: -2.3	ROLL: -3.5
23	BOOM ANGLE		
(5.9)	RADIUS AT ZERO BOOM ANGLE		

Note: Pitch & Roll angles indicated are representative of lifts based on firm level ground with tyres at specified pressures.

RATED CAPACITY CHART STATIC (0 km/hr) - RUNNER 3 (30° OFFSET)

Hook
Sheave

Duty:	129	RR3H
Duty:	132	RR3S

Rad	BOOM LENGTH - 3rd BOOM RETRACTED															3rd BOOM EXTENDING				Rad
	8.13	8.50	9.00	9.50	10.00	10.50	11.00	11.50	12.00	13.00	14.00	15.00	16.00	17.00	18.00	19.00	20.73			
2.0	18000	18000	18000	18000	18000	18000	18000	18000	18000											
	18000	18000	18000	18000	17300	15900	14700	13700												
	43	46	49	52	54	56	58	60												
2.5	18000	18000	18000	18000	18000	18000	18000	18000	18000											
	18000	18000	18000	18000	18000	18000	18000	18000	17200	15800										
	18000	18000	18000	17400	15900	14600	13600	12700	11900											
3.0	18000	18000	18000	18000	18000	18000	18000	18000	18000	18000										
	18000	18000	18000	18000	18000	18000	18000	18000	16500	15300	13200									
	18000	18000	18000	16200	14800	13600	12600	11800	11000	9800										
3.5	18000	18000	18000	18000	18000	18000	18000	18000	18000	18000	18000									
	18000	18000	18000	18000	18000	18000	17600	16100	14800	12800	11200									
	18000	18000	17200	15300	13900	12800	11800	11000	10300	9200	8200									
4.0	18000	18000	18000	18000	18000	18000	18000	18000	18000	18000	18000	17600								
	17700	17800	17800	17800	17800	17800	17300	15700	14400	12400	10900	9700								
	16700	16800	16800	14700	13200	12100	11200	10400	9700	8600	7700	7000								
5.0	(4.0)	19	28	33	38	41	44	47	49	53	56	59								
	16400	14500	14100	14200	14200	14200	14200	14200	14200	14200	14200	14200	14200	14000						
	16000	14100	13700	13800	13800	13800	13800	13800	13800	11900	10300	9100	8200	7500						
6.0	(4.4)	(4.9)	18	26	32	36	39	42	47	51	54	57	59							
	12900	11600	11400	11400	11400	11400	11400	11400	11400	11400	11400	11400	11500	11600	11700					
	12600	11300	11000	11100	11100	11100	11100	11100	11100	10000	8800	7800	7100	6600	6100					
7.0	(5.4)	(5.9)	17	25	30	34	41	46	49	53	55	58	60							
	10500	9600	9400	9400	9400	9400	9400	9400	9400	9500	9500	9500	9500	9600	9700	8700				
	10200	9300	9100	9100	9200	9200	8500	7600	6800	6300	5900	5300	4700	4400	4100	3900	3600			
8.0	(6.4)	(6.9)	16	24	33	39	44	48	51	54	56	60								
	8800	8100	8000	8000	8000	8000	8000	8000	8000	8000	8100	8200	8400							
	8500	7800	7700	7700	7700	7700	7400	6600	6100	5700	5100	4600	4300							
9.0	(7.4)	(7.9)	23	32	38	43	46	50	52	56										
	6900	6800	6800	6800	6900	6900	6900	6900	7000	7100	7200									
	6700	6600	6600	6600	6500	6000	5500	4900	4600	4300	4100	3800	3500	3400	3100					
10.0	(8.9)	22	31	37	41	45	48	53												
	6000	5900	5900	5900	5900	6000	6100	6300												
	5800	5700	5700	5700	5700	5800	5400	4800												
11.0	(9.9)	22	30	36	40	44	49													
	5200	5100	5200	5300	5400	5500														
	5000	5000	5000	5100	5200	4700														
12.0	(10.9)	21	29	35	39	45														
	4600	4500	4700	4700	4900															
	4400	4400	4500	4600	4600															
13.0	(11.9)	20	28	34	41															
	4100	4100	4200	4300																
	3900	4000	4100	4200																
14.0	(12.9)	20	28	36																
	3600	3200	2800	2400																
	3600	3200	2800	2400																
15.0	(13.9)	19	31																	
	3400	3500																		
	3000	2400																		
16.0	(14.9)	25																		
	3100																			
	2500																			
16.58																				
	26																			
	(5.9)																			
17.0																				
	1400																			
	0																			
	14.00	15.00	16.00	17.00	18.00	19.00	20.73													

WINCH RATED CAPACITY

		Duty
1 FALLS	4300	132
2 FALLS	8700	132
HOOK	18000	129

UNITS:

- ANGLES IN DEGREES
- LENGTHS IN METRES
- LOAD IN KILOGRAMS

KEY:

14200	RC @ ARTIC:	0°	PITCH:	-2.3	ROLL:	-1.0
13800	RC @ ARTIC:	20°	PITCH:	-2.3	ROLL:	-3.0
12700	RC @ ARTIC:	35°	PITCH:	-2.3	ROLL:	-3.5
26	BOOM ANGLE					
(5.9)	RADIUS AT ZERO BOOM ANGLE					

Note: Pitch & Roll angles indicated are representative of lifts based on firm level ground with tyres at specified pressures.

RATED CAPACITY CHART PICK AND CARRY (0 - 1.44 km/hr) - RUNNER 3 (30° OFFSET)



Hook
Sheave

Duty:	129	RR3H
Duty:	132	RR3S

Rad	BOOM LENGTH - 3rd BOOM RETRACTED															3rd BOOM EXTENDING				Rad	
	8.13	8.50	9.00	9.50	10.00	10.50	11.00	11.50	12.00	13.00	14.00	15.00	16.00	17.00	18.00	19.00	20.73				
2.0	18000	18000	18000	18000	18000	18000	18000	18000	18000												
	18000	18000	18000	16900	15500	14200	13200	12300													
	43	46	49	52	54	56	58	60													
2.5	18000	18000	18000	18000	18000	18000	18000	18000	18000												
	18000	18000	18000	18000	18000	18000	17300	16400	15100	13900											
	18000	18000	17400	15700	14300	13200	12200	11400	10700												
3.0	18000	18000	18000	18000	18000	18000	18000	18000	18000	18000											
	18000	18000	18000	18000	18000	18000	17600	16000	14600	13500	11700										
	18000	18000	16400	14700	13400	12300	11400	10700	10000	8800											
3.5	18000	18000	18000	18000	18000	18000	18000	18000	18000	18000	18000										
	18000	18000	18000	18000	18000	18000	17300	15600	14300	13100	11300	9900									
	17300	17400	15800	14000	12700	11700	10800	10000	9400	8300	7400										
4.0	16200	16200	16300	16300	16300	16300	16300	16300	16300	16300	16300	16300									
	15700	15800	15800	15800	15800	15800	15400	14000	12900	11000	9700	8600									
	14800	14900	14900	13600	12200	11100	10200	9500	8900	7800	7000	6300									
5.0	(4.0)	19	28	33	38	41	44	47	49	53	56	59									
	14600	12900	12600	12600	12600	12600	12600	12600	12600	12600	12600	12600	12600	12600							
	14200	12500	12200	12200	12200	12200	12200	12200	12200	10700	9300	8200	7300	6600							
6.0	(4.4)	(4.9)	18	26	32	36	39	42	47	51	54	57	59								
	11500	10300	10100	10100	10100	10100	10100	10100	10100	10100	10100	10100	10100	10200	10300	10400					
			11200	10000	9800	9800	9800	9800	9800	9900	9000	7900	7000	6300	5900	5500					
7.0			(5.4)	(5.9)	17	25	30	34	41	46	49	53	55	58	60						
					9400	8500	8400	8400	8400	8400	8400	8400	8400	8400	8500	8600	8700				
					9100	8300	8100	8100	8100	8100	8100	7700	6800	6100	5600	5300	4700				
8.0					8500	7800	7600	7600	6300	5400	4800	4300	4000	3800	3600	3300					
					(6.4)	(6.9)	16	24	33	39	44	48	51	54	56	60					
							7800	7200	7100	7100	7100	7100	7100	7100	7200	7300	7400				
9.0							7600	6900	6800	6900	6900	6700	6000	5500	5100	4500					
							7100	6500	6300	5200	4500	4000	3700	3500	3300	3000					
							(7.4)	(7.9)	23	32	38	43	46	50	52	56					
10.0									6100	6000	6100	6100	6100	6200	6300	6400					
									5900	5800	5900	5900	5900	5400	5000	4400					
									5500	5300	4400	3800	3500	3200	3100	2800					
11.0									(8.9)	22	31	37	41	45	48	53					
									5300	5200	5200	5300	5400	5500	5600						
									5100	5000	5100	5100	5200	4900	4300						
12.0									4800	4500	3700	3300	3100	2900	2600						
									(9.9)	22	30	36	40	44	49						
									4600	4600	4600	4700	4800	4900							
13.0									4400	4400	4400	4500	4600	4200							
									4100	3800	3200	2900	2700	2500							
									(10.9)	21	29	35	39	45							
14.0												4000	4000	4100	4200	4300					
												3900	3900	4000	4100	4200					
												3600	3300	2900	2600	2300					
15.0												(11.9)	20	28	34	41					
												3600	3700	3700	3900						
												3500	3500	3600	3700						
16.0												3200	3000	2600	2200						
												(12.9)	20	28	36						
												3700	3300	3400							
16.58												3000	2700	2200							
												(13.9)	19	31							
												2600	2200								
17.0												(14.9)	25								
												2800									
												2300									
18.0																					
19.0																					
20.73																					

WINCH RATED CAPACITY

		Duty
1 FALLS	4300	132
2 FALLS	8700	132
HOOK	18000	129

UNITS:

- ANGLES IN DEGREES
- LENGTHS IN METRES
- LOAD IN KILOGRAMS

KEY:

12600	RC @ ARTIC:	0°	PITCH:	-2.3	ROLL:	-1.0
12200	RC @ ARTIC:	20°	PITCH:	-2.3	ROLL:	-3.0
11500	RC @ ARTIC:	35°	PITCH:	-2.3	ROLL:	-3.5
26	BOOM ANGLE					
(5.9)	RADIUS AT ZERO BOOM ANGLE					

Note: Pitch & Roll angles indicated are representative of lifts based on firm level ground with tyres at specified pressures.



AFTERMARKET CONTACTS LIST

AFTER HOURS SUPPORT: from anywhere within Australia

National Technical Support Contact (24/7)

PH: **1800 837 395** (1800TEREXL)

BUSINESS HOURS SUPPORT:

Contact the relevant state office on the numbers shown below for all enquiries regarding:

- Spare parts
- Product support
- Service
- Warranty

Queensland:	+61 7 3868 9600
New South Wales:	+61 2 8786 4444
Victoria:	+61 03 8794 4170
Western Australia:	+61 8 9232 0000

Please have the following information available before calling:

- Company name
- Contact name
- Phone number
- E-mail contact
- Crane model and serial number
- Crane hours and kilometres